

MEASUREMENT RECORD

LEDGER BLADES

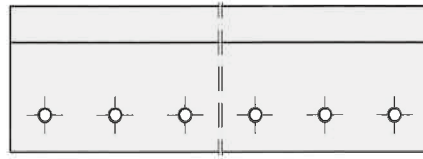
Please complete



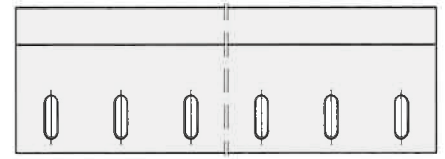
HEUSCH serial no. **HU** _____



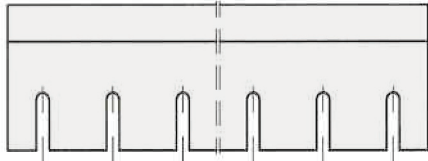
without holes **T1**



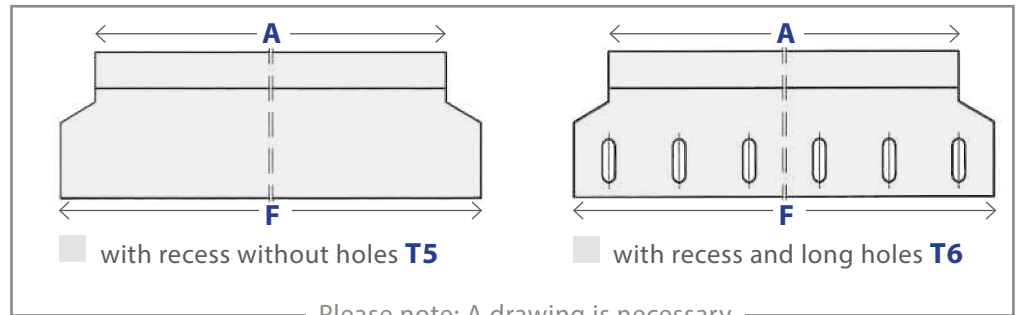
with round holes **T2**



with long holes **T3**



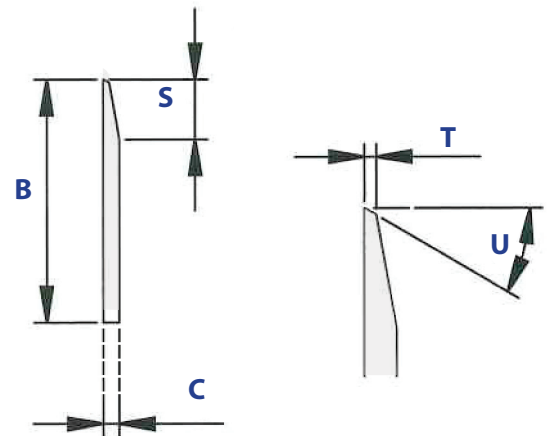
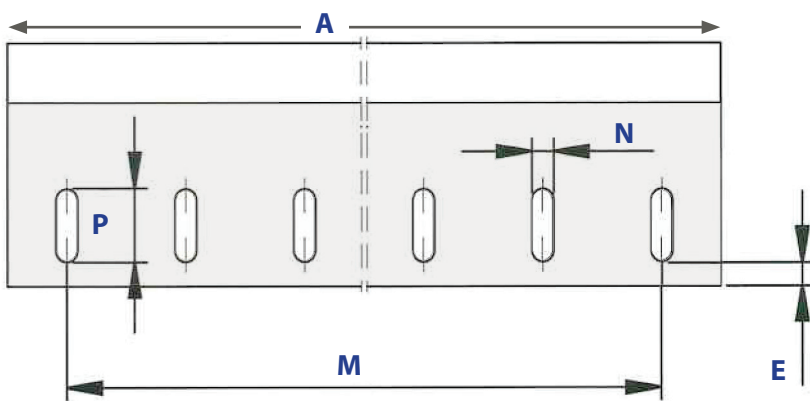
with slots **T4**



with recess without holes **T5**

with recess and long holes **T6**

Please note: A drawing is necessary



TECHNICAL INFORMATION

A _____ mm **B** _____ mm **C** _____ mm **F** only for T5 and T6 _____ mm

M _____ mm **N** _____ mm **P** _____ mm **E** _____ mm

Bevel **S** _____ mm **T** _____ mm **U** _____ ° **L** No. of holes/slots _____ pcs

VOLUME REQUESTED

LEDGER BLADE

_____ pcs

QUALITY OF BLADE

- High Quality **HL**
- Special Quality **H4**
- Polymant **PO**

COMMENT
